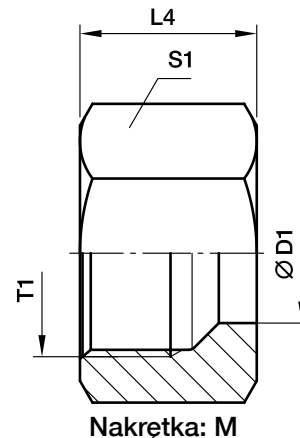


**M Nakrętka złączkowa do końcówki EO ze stożkiem 24°**



Nakrętka: M

| Szereg           | D1<br> | T1      | L4   | S1 | Ciężar<br>g/szt. | Kod<br>zamawiania* | PN (bar) <sup>1)</sup> |     |     |
|------------------|--------|---------|------|----|------------------|--------------------|------------------------|-----|-----|
|                  |        |         |      |    |                  |                    | CF                     | 71  | MS  |
| LL <sup>2)</sup> | 04     | M8x1    | 11.0 | 10 | 4                | <b>M04LL</b>       | 100                    | 100 | 63  |
|                  | 06     | M10x1   | 11.5 | 12 | 6                | <b>M06LL</b>       | 100                    | 100 | 63  |
|                  | 08     | M12x1   | 12.0 | 14 | 7                | <b>M08LL</b>       | 100                    | 100 | 63  |
|                  | 10     | M14x1   | 12.5 | 17 | 11               | <b>M10LL</b>       | 100                    | 100 | 63  |
|                  | 12     | M16x1   | 13.0 | 19 | 13               | <b>M12LL</b>       | 100                    | 100 | 63  |
| L <sup>3)</sup>  | 06     | M12x1.5 | 14.5 | 14 | 10               | <b>M06L</b>        | 500                    | 315 | 200 |
|                  | 08     | M14x1.5 | 14.5 | 17 | 15               | <b>M08L</b>        | 500                    | 315 | 200 |
|                  | 10     | M16x1.5 | 15.5 | 19 | 18               | <b>M10L</b>        | 500                    | 315 | 200 |
|                  | 12     | M18x1.5 | 15.5 | 22 | 25               | <b>M12L</b>        | 400                    | 315 | 200 |
|                  | 15     | M22x1.5 | 17.0 | 27 | 42               | <b>M15L</b>        | 400                    | 315 | 200 |
|                  | 18     | M26x1.5 | 18.0 | 32 | 62               | <b>M18L</b>        | 400                    | 315 | 200 |
|                  | 22     | M30x2   | 20.0 | 36 | 82               | <b>M22L</b>        | 250                    | 160 | 100 |
|                  | 28     | M36x2   | 21.0 | 41 | 89               | <b>M28L</b>        | 250                    | 160 | 100 |
|                  | 35     | M45x2   | 24.0 | 50 | 137              | <b>M35L</b>        | 250                    | 160 | 100 |
|                  | 42     | M52x2   | 24.0 | 60 | 216              | <b>M42L</b>        | 250                    | 160 | 100 |
| S <sup>4)</sup>  | 06     | M14x1.5 | 16.5 | 17 | 17               | <b>M06S</b>        | 800                    | 630 | 400 |
|                  | 08     | M16x1.5 | 16.5 | 19 | 20               | <b>M08S</b>        | 800                    | 630 | 400 |
|                  | 10     | M18x1.5 | 17.5 | 22 | 31               | <b>M10S</b>        | 800                    | 630 | 400 |
|                  | 12     | M20x1.5 | 17.5 | 24 | 34               | <b>M12S</b>        | 630                    | 630 | 400 |
|                  | 14     | M22x1.5 | 20.5 | 27 | 53               | <b>M14S</b>        | 630                    | 630 | 400 |
|                  | 16     | M24x1.5 | 20.5 | 30 | 66               | <b>M16S</b>        | 630                    | 400 | 250 |
|                  | 20     | M30x2   | 24.0 | 36 | 102              | <b>M20S</b>        | 420                    | 400 | 250 |
|                  | 25     | M36x2   | 27.0 | 46 | 202              | <b>M25S</b>        | 420                    | 400 | 250 |
|                  | 30     | M42x2   | 29.0 | 50 | 219              | <b>M30S</b>        | 420                    | 400 | 250 |
|                  | 38     | M52x2   | 32.5 | 60 | 339              | <b>M38S</b>        | 420                    | 315 | 200 |

<sup>1)</sup> Jeśli w tabeli podano wartość ciśnienia, wyrób jest w aktualnej ofercie.

<sup>2)</sup> LL = szereg bardzo lekki; <sup>3)</sup> L = szereg lekki; <sup>4)</sup> S = szereg ciężki

$$\frac{PN(\text{bar})}{10} = PN(\text{MPa})$$

\*W zależności od żądanego materiału i pokrycia powierzchni do kodu należy dodać jeden z poniższych przyrostków.

| Przyrostki w kodzie zamawiania     |  |            |
|------------------------------------|--|------------|
| Materiał                           | Przyrostek oznaczający rodzaj powierzchni i materiał | Przykład   |
| Stal ocynkowana, bez chromu Cr(VI) | CF   | M16SCFX    |
| Stal nierdzewna                    | EODUR  | M16SEODURX |
| Mosiądz                            | MS   | M16SMSX    |