

EXCAVATOR DRILLING EQUIPMENT OWK type



1. PURPOSE

OWK type excavator drilling equipment fitted with rotary head and auger column is intended for drilling vertical holes under different soil conditions. Drilling equipment is attached to the excavator arm instead of a bucket. Augers are driven by the rotary head equipped with a hydraulic motors. The characteristic feature of most of heads manufactured by our company is the possibility of continuous feeding of concrete CFA or cement grout, owing to a special design of the pass-through spindle. High quality materials allow OWK equipment to carry heavy loads related to the drilling process.

2. TECHNICAL DATA

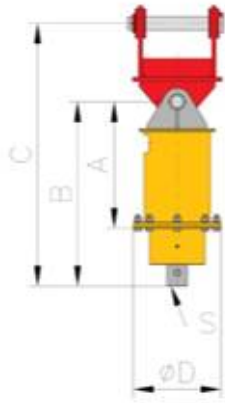
Parameter	Rotary head type								
	OWK250	OWK400	OWK600	OWK800	OWK1200	OWK1600	OWK2400	OWK3600	OWK4600
Torque [daNm]	250	400	600	800	1200	1600	2400	3600	4600
Nominal pressure [bar]	175	250	250	200	180	200	180	250	250
Nominal oil consumption [l/min]	50	60	70	100	150	200	220	230	240
Max drilling diameter [mm] 1)	300	400	500	600	600	600	800	800	1000
Recommended auger rotations [rpm]	50	50	40	30	30	30	30	20	20
Spindle through bore [mm]	-	-	-	60	60	100	100	125	125
Rotary head mass [kg]	140	485	690	340	350	675	685	980	1170
Excavator mass [tonnes]	4÷8	5÷10	10÷16	>16	>16	>18	>18	>22	>22

1) in function of drilling depth and soil conditions

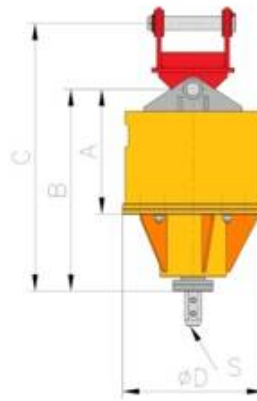
 **BIPROMASZ**® Sp. z o.o. sp. k.

85-426 Bydgoszcz, ul. Bronikowskiego 8 • tel./fax 52 379 93 10 • tel. kom. 501 139 935
e-mail: biuro@bipromasz.pl • www.bipromasz.pl

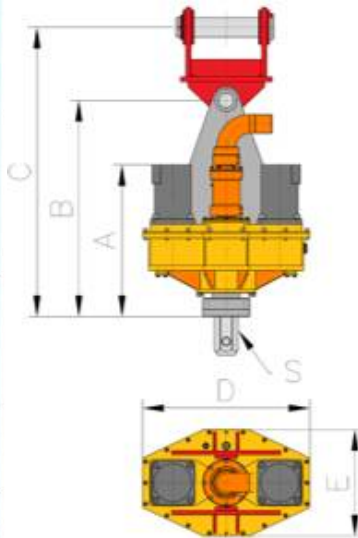
3. DIMENSIONS



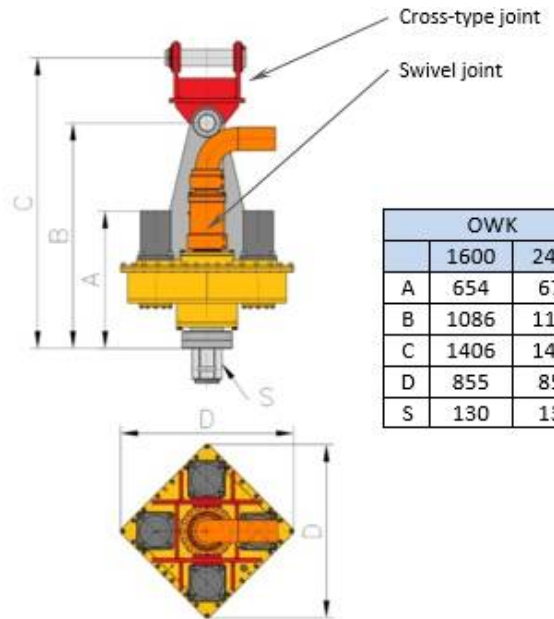
OWK-250	
A	470
B	683
C	973
D	325
S	51



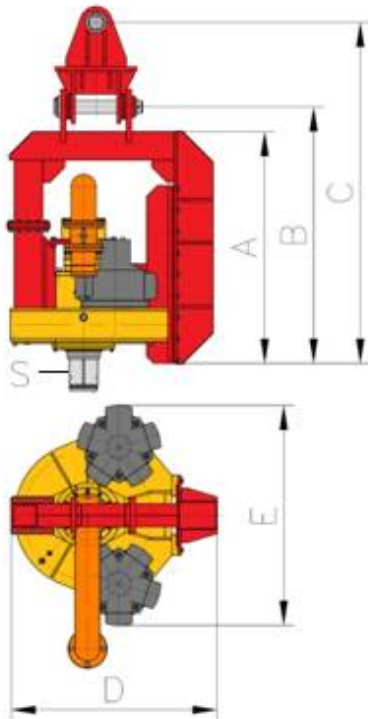
OWK		
	400	600
A	501	560
B	846	875
C	1141	1200
D	610	635
S	65	65



OWK		
	800	1200
A	613	613
B	873	873
C	1168	1168
D	676	676
E	430	430
S	85	85



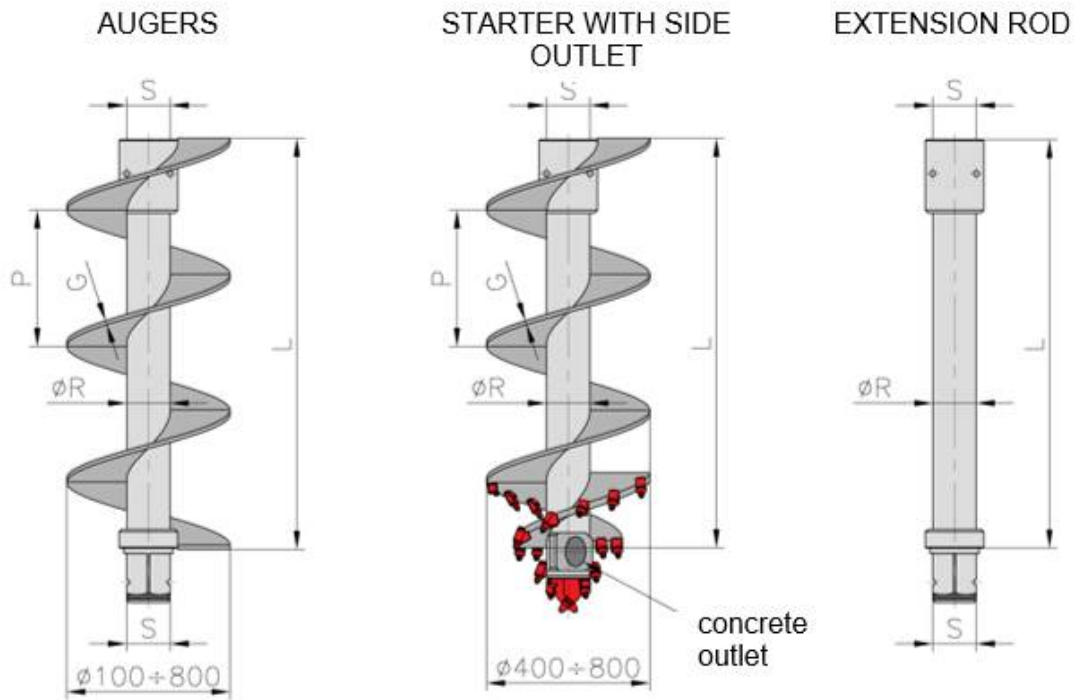
OWK		
	1600	2400
A	654	674
B	1086	1106
C	1406	1426
D	855	855
S	130	130



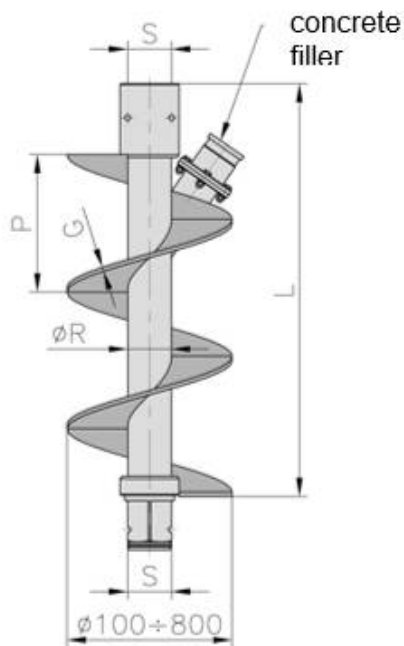
OWK		
	3600	4600
A	1305	1305
B	1475	1475
C	1950	1950
D	1080	1100
E	1005	1240
S	160	160



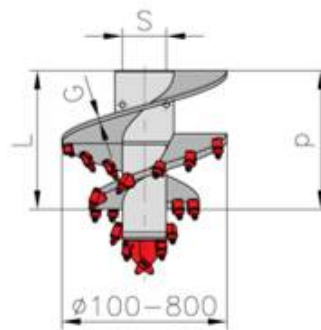
4. DRILLING TOOLS



AUGERS WITH SIDE OUTLET
(for non-pass-through heads)



HEADS



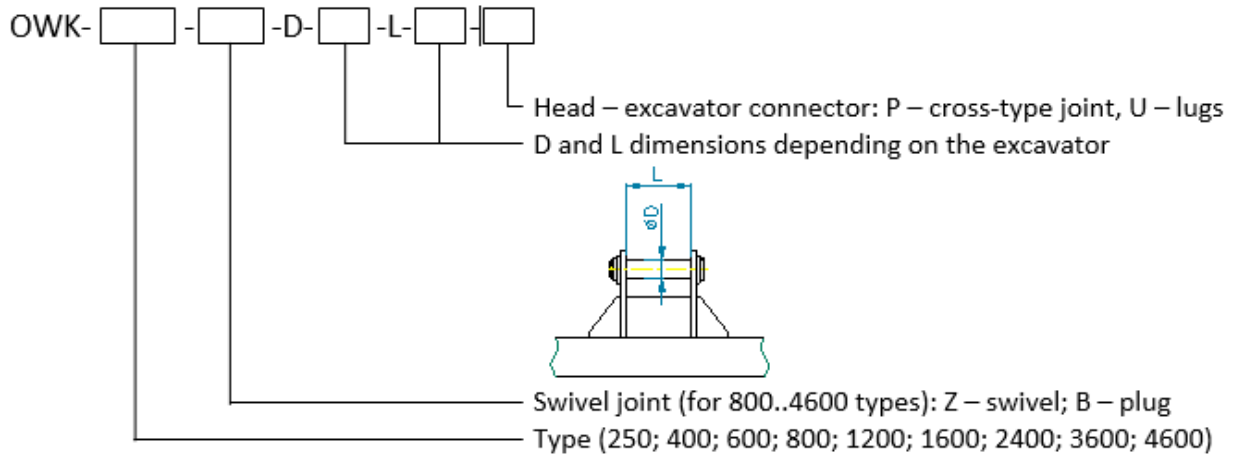
Dimension specification

Ø	100	200	300	400	500	600	700	800
L	1+4	1+4	1+4	1+4	1+4	1+4	1+4	1+4
p	90	160	240	300	380	500	500	600
Ør	51	70	89	127	140	140	160	160
g	6	6	8	12	16	16	16	16
s	36	46	51/85	85	85/130	130/160	130/160	130/160
pass-through	-	-	-	60	60/100	100	125	125

BIPROMASZ® Sp. z o.o. sp. k.

85-426 Bydgoszcz, ul. Bronikowskiego 8 • tel./fax 52 379 93 10 • tel. kom. 501 139 935
e-mail: biuro@bipromasz.pl • www.bipromasz.pl

5. ORDERING



6. DRILLING MEASUREMENT SYSTEM

The SCM-500B measuring system is designed for installation on drilling rigs operating in the CFA, DSM, JETGROUTING technologies, and it is used for micropile injection and geotechnical drilling rigs. The system ensures ongoing monitoring of drilling and pile formation parameters, while recording them on a portable memory card.



A mobile diagnostic computer constitutes the central processing unit of the system. The computer is characterized by a strong, tight housing and the resistance to different weather conditions and vibrations. It is equipped with a bright, colour display, user-friendly function buttons and numerous communication ports with external devices, including a standard 4GB memory card.

Possible measurement values: drilling depth, head travel speed, torque, rotating speed, injection grout pressure, injection grout flow, injection grout amount, hydraulic oil temperature.